

CX8803/80V Input, 4A Current Limit , Asynchronous Step-down Converter

Features

- 9V to 80V input voltage range
- 4A current limit
- 2A continuous load current
- 93% Peak Efficiency
- 400μA operating quiescent current
- 100V 400-mΩ high-side MOSFET
- Peak Current mode control
- 300 kHz Fixed Frequency
- Internal compensation for ease of use
- Up to 92% duty cycle
- 0.8V voltage reference
- 9μA shutdown current
- 150ms Hiccup mod short circuit protection Function
- Thermal shutdown Function
- Available in an ESOP-8 package

Applications

- Appliances, power and garden tools
- High-cell-count battery packs (E-Bike, E-Scooter)
- Motor drives, drones, telecom
- Industrial Automation Control Vehicle Accessories
- Motor Control Vehicle Accessories

Description

The CX8803 is a high voltage, Asynchronous step-down converter operates over a wide range input voltage 9V to 80V. The CX8803 integrates a 100-V 400-mΩ high-side MOSFET.

The CX8803 delivers 2A continuous load current with up to 93% efficiency. The CX8803 operates with fixed frequency peak current control with built-in compensation eliminates the need for external components.

Cycle-by-cycle current limit in high-side MOSFET protects the converter in an overload condition. Hiccup mode protection is triggered if the over-current condition has persisted for longer than the present time.

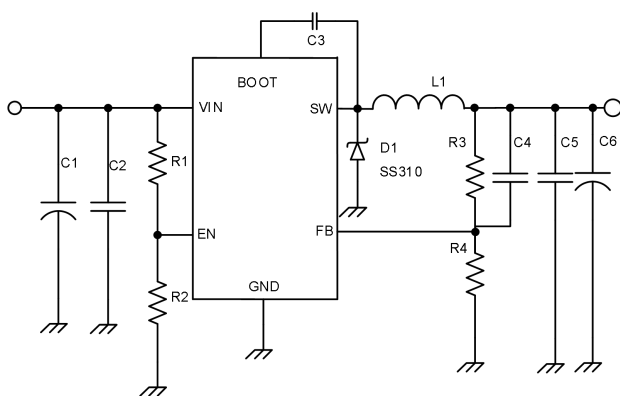
The CX8803 exhibits protection features that protect the load from faults like under voltage, over-current and over-temperature.

The CX8803 is available in an ESOP-8 package.

Device Information

PART NUMBER	PACKAGE	BODY SISE(NOM)
CX8803	ESOP-8	4.89mm*3.9mm

Typical Application



9V-80V, Asynchronous Buck Converter

Efficiency, Vout=12V

