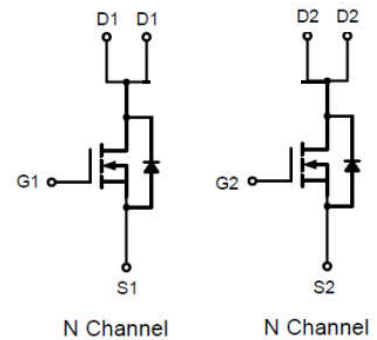
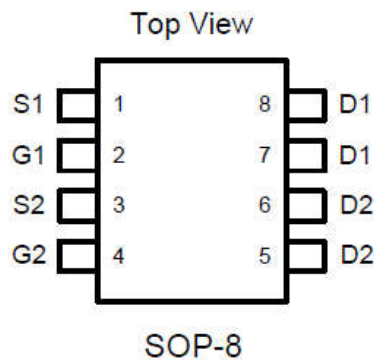


30V N+N-channel SGT MOSFET

DESCRIPTION

The CX3203 uses advanced trench technology to provide excellent RDS(ON) and low gate charge. The complementary MOSFETs may be used to form a level shifted high side switch, and for a host of other applications.

Pin Description



Featuration

- N-Channel
36V/7A,
RDS(ON)=20m (MAX.) @ VGS=10VR
DS(ON)=30m (MAX.) @ VGS=4.5V
- Super High Dense Cell Design
- Reliable and Rugged

Application

- Power Management in Notebook Computer
- Portable Equipment
- Battery Powered Systems